

SAV[®]

NORTH AMERICA

The Source
for your work
holding solutions.

Custom Applications





A designer, manufacturer and supplier of work holding solutions. With a strong emphasis on innovation, new technologies and applications along with incorporating mechanical, magnetic, pneumatic, vacuum and hydraulic components, we can meet the demanding requirements of today's environment. Whether it is with a standard or a custom engineered product, we are "The Source for your work holding solutions."

SAV North America ensures local support for engineering, sales and distribution in the United States, Mexico and Canada. Being a division of a European manufacturer with multiple factories, we have full access to the manufacturing engineers, facilities and design staff capabilities.

Custom Engineered Solutions

- Concept to completion
- Combined technologies: magnetic, pneumatic, vacuum, hydraulic, and mechanical
- Complete engineering, design, manufacturing and support

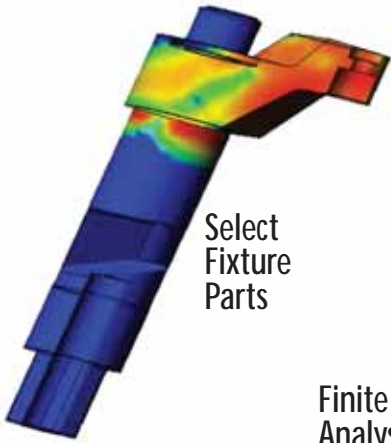


250 Nutmeg Road South, Suite N
South Windsor, CT 06074 U.S.A.

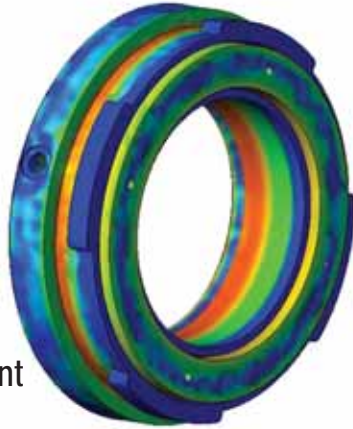
Phone: 860-882-0841
Toll free: 888-628-8796
Fax: 860-882-0844

www.sav-workholding-na.com

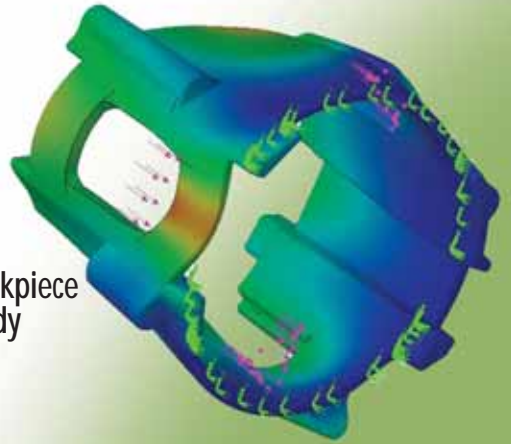
THE SAV WAY TO A SOLUTION



Finite Element
Analysis



Workpiece
Study

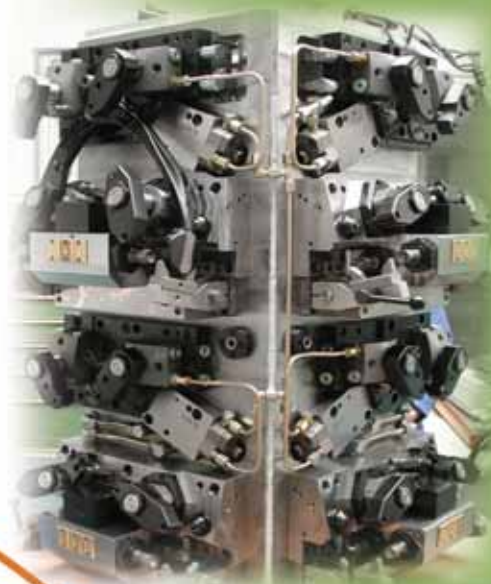
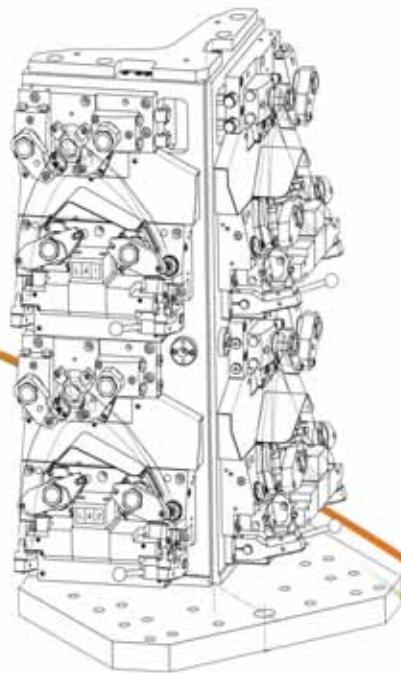


Simulation



From Start

To Finish





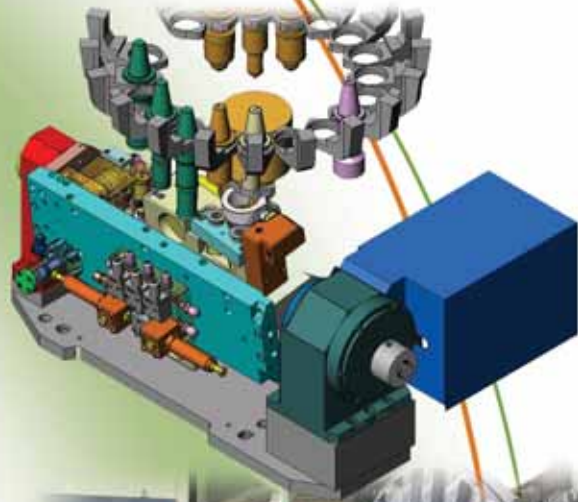
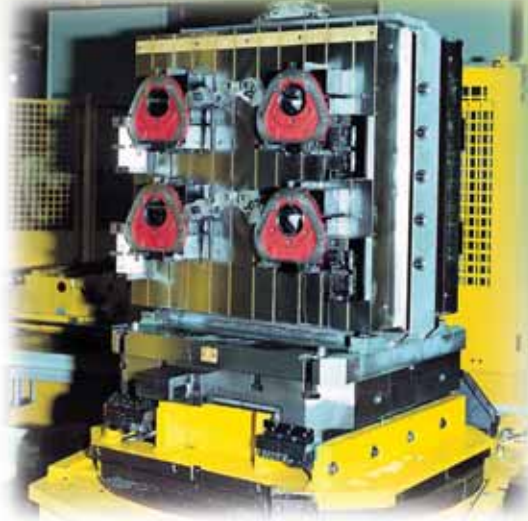
250 Nutmeg Road South, Suite N
South Windsor, CT 06074 U.S.A.

Phone: 860-882-0841

Toll free: 888-628-8796

Fax: 860-882-0844

www.sav-workholding-na.com



**Contact your SAV representative
for your work holding requirements at
888-628-8796 or visit
www.sav-workholding-na.com**